

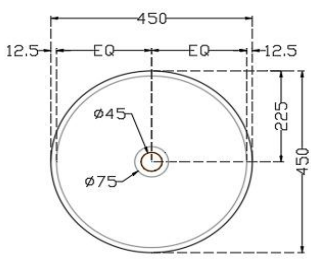
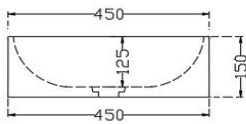
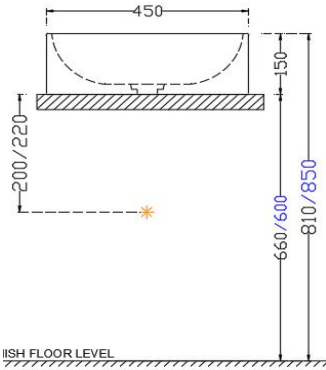



PRODUCT CODE		ADS-MBT-649907		 BATH + LIGHT	
PRODUCT SPECIFICATION DATA SHEET					
BRAND		Artize			
Colour		Banswara White With Purple Veins			
Type		Table Top Basin			
Material		Marble Stone -Indian Banswara			
Outlet		Vertical			
Technical Details		No Tap hole Internal diameter of outlet hole dia. $\phi 45 \pm 3$ mm Horizontal distance between the Bowl edge and the centre line of the waste outlet hole ≤ 225 mm			
TECHNICAL DRAWING					
 <p>TOP VIEW</p>		 <p>SIDE VIEW</p>		 <p>INSTALLATION SIDE VIEW</p>	
PRODUCT SPECIFICATION					
Product Dimension	450x450x150 mm	Banswara Marble is quarried in Rajasthan region due to it's softness, it's easy to form into any shape. It has shiny surface with mix of Grey & purple Veins. Each stone surface has its own distinct characteristics. This individuality makes each stone fixture a unique and one in a million. Stone is a natural material; thus its color, veins and shades can vary from one piece to another. Basins are made from single block of marble so no cut & joint in basin. Each basin is hand crafted basin. Every basin is unique in its own pattern and texture.			
Basin Inner Dimension	425x425x125 mm				
Product Net Weight	28 kg.				
Packaging Dimension	600x600x230 mm				
Product Gross Weight	31 kg.				
CLEANING AND MAINTINENCE INSTRUITION					
Stone is a natural material; thus, its color, veins and shades can vary from one piece to another.		Each stone surface has its own distinct characteristics. This individuality makes each stone fixture a unique and one in a million.			
If staining occurs, only use a light and less intense stain remover specifically formulated for natural stone.		The stone basins are to be cleaned using normal, neutral detergents with low alkaline contents on daily basis			
This Stone wash basin has been treated with AKEMI Nano, a natural-looking and penetrating sealer. Reapplication of AKEMI Nano or a similar sealer twice a year may be required to prevent and protect the finish of your wash basin.		Do not use strong, abrasive, concentrated products, or cleaning agents such as ammonia, bleach, anti-lime, acids, abrasives, degreasers, or alcohol or even those homemade remedies such as lemon and vinegar, as these will impact product finish.			
One of the basic properties of natural stone is that it may change color over a period of time if exposed to direct sunlight.		We strongly recommend not using bristle brushes, scrubbing pads, steel wool, or abrasive cleaners as these are harsh on materials			
Keep chemicals such as bleach, fingernail polish remover, and fingernail polish, oils, Harpic, etc. away from your basin to prevent staining or damage		Stone basins are not resistant to impact			
Residues of toiletries such as liquid soaps, shower gels, shampoos, hair dyes, perfumes, lipstick, aftershave, and nail varnish if not wiped up immediately can also cause damage to the surface of the wash basin. This can allow the acids to react with calcium carbonate in the stone and can create permanent markings.		Application of a stone sealer will help make natural stone surfaces less porous and more resistant to stains. The sealer is stain resistant but not stains proof, hence is recommended to maintain your wash basin for long lasting aesthetic finish, hence a stone sealer can be applied on the surface.			
CERTIFICATION					
QUALITY MANAGEMENT SYSTEM - ISO 9001					
DISCLAIMER: Our every effort has been made to ensure factual accuracy, the information presented subject to changes due to requirements in different sites, markets and/or countries. All dimensions are in mm (Tolerance ± 5 MM). Jaquar reserves the right to make the necessary amendments at any time without prior notice.					